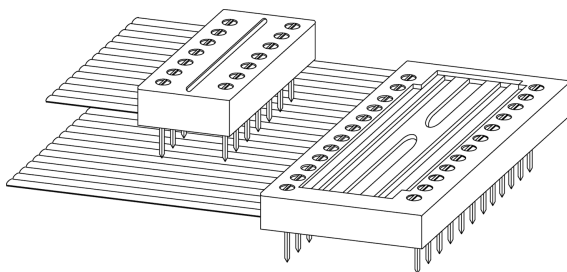




## DIP (Dual-Inline-Plug) Jumper Selection Guide

Style No.: 39007



### FEATURES and BENEFITS:

- Eliminates usual cable/connector assembling.
- Ultimate strain relief inherent in design.
- Inseparable - nothing to come apart.
- No pull tabs required; cable molded into connector.
- Eliminates usually exposed conductor ends.
- Line-by-line probe access holes are standard.
- Mate with standard IC sockets - directly interchangeable replacements for other industry-standard IDC DIP cable assemblies.
- Vital one-piece construction eliminates separation problems.
- Solder standoffs facilitate wave soldering.
- Typical applications include: jumpering within a PC board; interconnecting between PC boards, backplanes and motherboards; interfacing input / output signals to the system as well as to test and checkout equipment.
- 100% factory testing of **each** jumper shipped.

### SPECIFICATIONS:

#### Electrical:

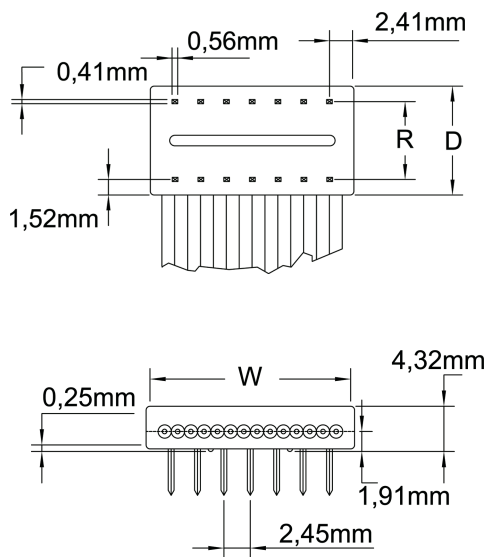
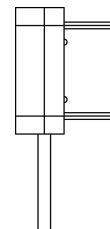
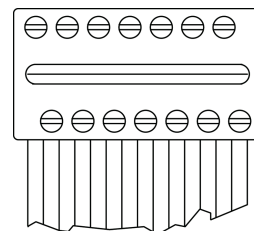
Current rating: 1 amp (D.C.)  
 Dielectrical withstanding voltage: 1000 volts (sea level)

#### Physical:

Contact material: CuNi18Zn20  
 Plating: see Surface-Finish-Materials Table

#### Environmental:

Material: U.L. rated 94 V-O  
 Operating temperature range: -40°C to +105°C



### DIMENSIONS: in inch (mm)

Size	W	D	R
8	0.490 (12,45)	0.420 (10,70)	0.300 (7,62)
14	0.790 (20,07)	0.420 (10,70)	0.300 (7,62)
16	0.890 (22,62)	0.420 (10,70)	0.300 (7,62)
18	0.990 (25,16)	0.420 (10,70)	0.300 (7,62)
20	1.090 (27,70)	0.420 (10,70)	0.300 (7,62)
24	1.290 (32,77)	0.720 (18,30)	0.600 (15,24)
28	1.490 (37,85)	0.720 (18,30)	0.600 (15,24)
34	1.790 (45,47)	0.720 (18,30)	0.600 (15,24)
40	2.090 (53,09)	0.720 (18,30)	0.600 (15,24)



## Ordering Information

LEFT-END...	RIGHT-END CONNECTOR STYLE NUMBERS				
DIP Style 39007	NO CONNECTOR Style 39000	SOCKET without Tab Style 39001	SOCKET with Tab Key Style 39002	DIP Style 39007	DRB Style 39023
DOWN  UP  STRIPE UP	OPEN  Stripped and tinned available	DOWN  UP 	DOWN  UP 	DOWN  UP 	DOWN  UP 
DOWN  UP  STRIPE DOWN	OPEN  Stripped and tinned available	DOWN  UP 	DOWN  UP 	DOWN  UP 	DOWN  UP 

### Easy 4-Step Jumper Description - EXAMPLE

For detailed information please see Technical Informations

	LEFT CONTACTS	CONNECTOR STYLE NO.	CONTACT FINISH	CONNECTOR SIZE
STEP 1	Left up =LP Left down =LN Left Open =LO	<b>L N</b> 3 9 0 0 7	0 1	2 0
	RIGHT CONTACTS	CONNECTOR STYLE NO.	CONTACT FINISH	CONNECTOR SIZE
STEP 2	Right up =RP Right down =RN Right Open =RO	<b>R P</b> 3 9 0 0 7	0 1	2 0
	CABLE (conductor #1)	CABLE STYLE NO.	ALWAYS „00“	NUMBER OF CONDUCTORS
STEP 3	Stripe up =SP Stripe down =SN	<b>S N</b> 3 9 3 2 2	0 0	2 0
	TIP-TO-TIP JUMPER LENGTH	DECIMAL		
STEP 4	MilliMeters =MM INches =IN	<b>M M</b> 7 0 0	0 0	

**NOTES:** Where connector sizes are different, the inactive contacts will be located farthest from the cable stripe unless otherwise specified.

**A P Products GmbH**  
 Postfach 1158  
 D-71089 Weil im Schönbuch  
 Deutschland  
 Tel.: +49-7157-5348-0  
 Fax: +49-7157-5348-39  
 Web: www.ap-products.de  
 E-mail: info@ap-products.de

**A P Products Ltd.**  
 80 Cromwell Road  
 Saffron Walden, CB11 4BE  
 Great Britain  
 Tel.: +44-1799-526602  
 Fax: +44-1799-521408  
 Web: www.ap-products.co.uk  
 E-mail: info@ap-products.co.uk

**A P Products S.r.l.**  
 Viale Abruzzi, 87  
 I-20131 Milano  
 Italia  
 Tel.: +39-02-29404697  
 Fax: +39-02-29523280  
 Web: www.ap-products.com  
 E-mail: info-i@ap-products.com