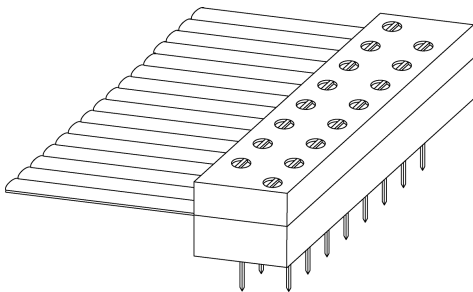




DRB (Dual-Row-Board) Jumper Selection Guide

Style No.: 39023

FEATURES and BENEFITS:



- Eliminates usual cable/connector assembling.
- Inseparable - nothing to come apart.
- Ultimate strain relief inherent in design.
- No pull tabs required; cable molded into connector.
- Eliminates usually exposed conductor ends.
- Line-by-line probe access holes are standard.
- Space-saving alternative to larger, diagonal PCB hole patterns and bulkier header-socket connector combinations.
- Solders directly into standard .100 x .100 header hole patterns.
- Vital one-piece construction eliminates separation problems.
- Contact length accommodates PC boards up to .125 in. (3,18 mm) thick.
- Typical applications include: jumpering within a PC board; interconnecting between PC boards, backplanes and motherboards; interfacing input / output signals to the system as well as to test and checkout equipment.
- Enhances design flexibility - DRB .100 x .100 footprint allows replacing header/socket with DRB when plug/unplug requirement is unnecessary (and vice versa) without redesigning PC board for DIP or PCB hole patterns.
- Reduces hole-drilling production costs - allows standardizing on .100 x .100 hole patterns throughout.
- Ideal for high-density applications - compact DRB dimensions and footprint allow optimization of valuable PC board real estate and peripheral packaging space.
- Lowest installed cost - DRB cost less than any alternative cable/connector and header termination.
- 100% factory testing of **each** jumper shipped.

SPECIFICATIONS:

Electrical:

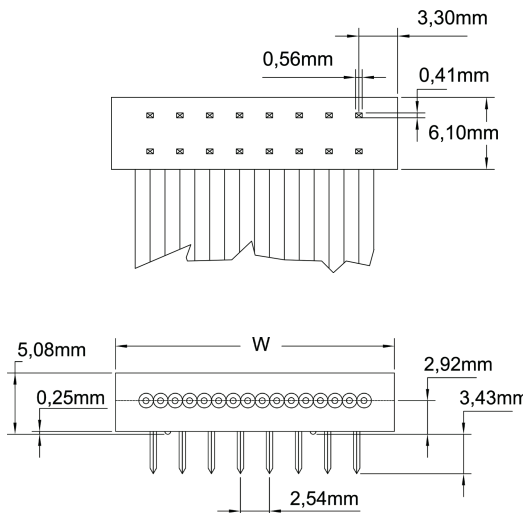
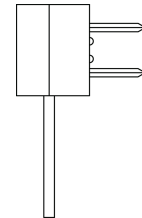
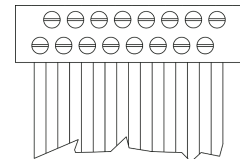
Current rating: 1 amp (D.C.)
 Dielectrical withstanding voltage: 1000 volts (sea level)

Physical:

Contact material: CuNi18Zn20
 Plating: see Surface-Finish-Materials Table

Environmental:

Material: U.L. rated 94 V-O
 Operating temperature range: -40°C to +105°C



DIMENSIONS: in inch (mm)

Size	W
06	0.460 (11,68)
08	0.560 (14,22)
10	0.660 (16,76)
14	0.860 (21,84)
16	0.960 (24,38)
20	1.160 (29,46)
24	1.360 (34,54)
26	1.460 (37,08)
30	1.660 (42,16)
34	1.860 (47,24)
40	2.160 (54,86)
50	2.660 (67,56)
60	3.160 (80,26)



Ordering Information

LEFT-END...	RIGHT-END CONNECTOR STYLE NUMBERS				
DRB Style 39023	NO CONNECTOR Style 39000	SOCKET without Tab Style 39001	SOCKET with Tab Key Style 39002	DIP Style 39007	DRB Style 39023
DOWN UP STRIPE UP	OPEN Stripped and tinned available	DOWN UP 	DOWN UP 	DOWN UP 	DOWN UP
DOWN UP STRIPE DOWN	OPEN Stripped and tinned available	DOWN UP 	DOWN UP 	DOWN UP 	DOWN UP

Easy 4-Step Jumper Description - EXAMPLE

For detailed information please see Technical Informations

STEP 1	LEFT CONTACTS Left uP =LP Left down =LN Left Open =LO	CONNECTOR STYLE NO. LN 39023	CONTACT FINISH 01	CONNECTOR SIZE 20
STEP 2	RIGHT CONTACTS Right uP =RP Right down =RN Right Open =RO	CONNECTOR STYLE NO. RP 39007	CONTACT FINISH 01	CONNECTOR SIZE 20
STEP 3	CABLE (conductor #) Stripe uP =SP Stripe down =SN	CABLE STYLE NO. SN 39322	ALWAYS „00“ 00	NUMBER OF CONDUCTORS 20
STEP 4	TIP-TO-TIP JUMPER LENGTH MilliMeters =MM Inches =IN	DECIMAL MM 700.00		

NOTES: Where connector sizes are different, the inactive contacts will be located farthest from the cable stripe unless otherwise specified.

A P Products GmbH
 Postfach 1158
 D-71089 Weil im Schönbuch
 Deutschland
 Tel.: +49-7157-5348-0
 Fax: +49-7157-5348-39
 Web: www.ap-products.de
 E-mail: info@ap-products.de

A P Products Ltd.
 80 Cromwell Road
 Saffron Walden, CB11 4BE
 Great Britain
 Tel.: +44-1799-526602
 Fax: +44-1799-521408
 Web: www.ap-products.co.uk
 E-mail: info@ap-products.co.uk

A P Products S.r.l.
 Viale Abruzzi, 87
 I-20131 Milano
 Italia
 Tel.: +39-02-29404697
 Fax: +39-02-29523280
 Web: www.ap-products.com
 E-mail: info-i@ap-products.com