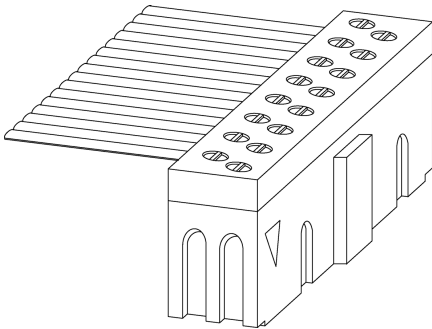




Socket Connector Jumper Selection Guide

Style No.: 39002



Socket With Tab Key

FEATURES and BENEFITS:

- Eliminates usual cable/connector assembling.
- Ultimate strain relief inherent in design.
- Inseparable - nothing to come apart.
- No pull tabs required; cable molded into connector.
- Eliminates usually exposed conductor ends.
- Standard .050 in. (1,27 mm) pitch round-wire flat ribbon cable.
- Line-by-line probe access holes are standard.
- Industry standard interface dimensions - directly interchangeable replacements for other standard IDC socket cable assemblies - mate with male headers and DRP's with .025 in. (0,64 mm) square or round posts on .100 x .100 in. (2,54 mm) spacing.
- Three industry-standard polarity keying systems.
- Slotted ends clear adjacent posts when installed in continuous-row headers.
- Typical applications include: jumpering within a PC board; interconnecting between PC boards, backplanes and motherboards; interfacing input / output signals to the system as well as to test and checkout equipment.
- 100% factory testing of **each** jumper shipped.

SPECIFICATIONS:

Electrical:

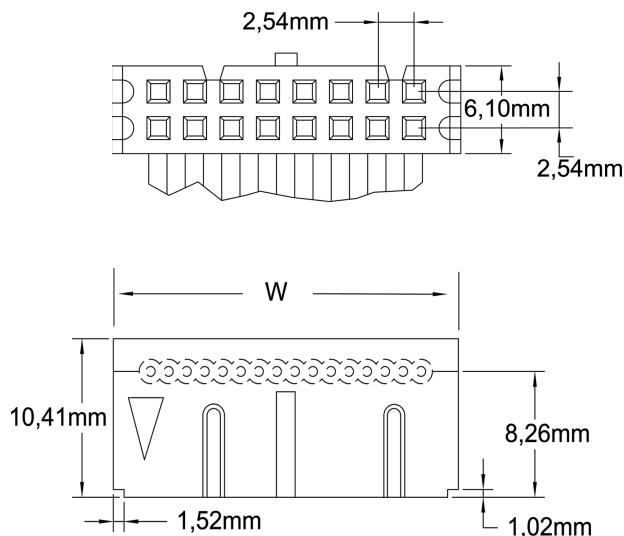
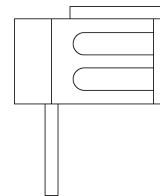
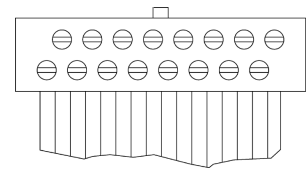
Current rating: 1 amp (D.C.)
 Dielectrical withstanding voltage: 1000 volts (sea level)

Physical:

Contact material: CuNi18Zn20
 Plating: see Surface-Finish-Materials Table

Environmental:

Material: U.L. rated 94 V-O
 Operating temperature range: -40°C to +105°C



DIMENSIONS: in inch (mm)

| Size | W |
|------|---------------|
| 08 | 0.560 (14,22) |
| 10 | 0.660 (16,76) |
| 14 | 0.860 (21,84) |
| 16 | 0.960 (24,38) |
| 20 | 1.160 (29,46) |
| 26 | 1.460 (37,08) |
| 34 | 1.860 (47,24) |
| 40 | 2.160 (54,86) |
| 50 | 2.660 (67,56) |
| 60 | 3.160 (80,26) |



Ordering Information

| LEFT-END... | RIGHT-END CONNECTOR STYLE NUMBERS | | | | |
|------------------------------------|--|-----------------------------------|------------------------------------|--------------------|--------------------|
| SOCKET with Tab Key Style 39002 | NO CONNECTOR Style 39000 | SOCKET without Tab Style 39001 | SOCKET with Tab Key Style 39002 | DIP Style 39007 | DRB Style 39023 |
| DOWN UP STRIPE UP | OPEN Stripped and tinned available | DOWN UP | DOWN UP | DOWN UP | DOWN UP |
| DOWN UP STRIPE DOWN | OPEN Stripped and tinned available | DOWN UP | DOWN UP | DOWN UP | DOWN UP |

Easy 4-Step Jumper Description - EXAMPLE

For detailed information please see Technical Informations

| | | | | |
|--------|--|---------------------|----------------|----------------------|
| STEP 1 | LEFT CONTACTS | CONNECTOR STYLE NO. | CONTACT FINISH | CONNECTOR SIZE |
| | Left up =LP Left down =LN Left Open =LO | LN 39002 | 01 | 20 |
| STEP 2 | RIGHT CONTACTS | CONNECTOR STYLE NO. | CONTACT FINISH | CONNECTOR SIZE |
| | Right up =RP Right down =RN Right Open =RO | RP 39007 | 01 | 20 |
| STEP 3 | CABLE (conductor #1) | CABLE STYLE NO. | ALWAYS „00“ | NUMBER OF CONDUCTORS |
| | Stripe up =SP Stripe down =SN | SN 39322 | 00 | 20 |
| STEP 4 | TIP-TO-TIP JUMPER LENGTH | DECIMAL | | |
| | MilliMeters =MM Inches =IN | MM 700 | 00 | |

NOTES: Where connector sizes are different, the inactive contacts will be located farthest from the cable stripe unless otherwise specified.

A P Products GmbH
 Postfach 1158
 D-71089 Weil im Schönbuch
 Deutschland
 Tel.: +49-7157-5348-0
 Fax: +49-7157-5348-39
 Web: www.ap-products.de
 E-mail: info@ap-products.de

A P Products Ltd.
 80 Cromwell Road
 Saffron Walden, CB11 4BE
 Great Britain
 Tel.: +44-1799-526602
 Fax: +44-1799-521408
 Web: www.ap-products.co.uk
 E-mail: info@ap-products.co.uk

A P Products S.r.l.
 Viale Abruzzi, 87
 I-20131 Milano
 Italia
 Tel.: +39-02-29404697
 Fax: +39-02-29523280
 Web: www.ap-products.com
 E-mail: info-i@ap-products.com