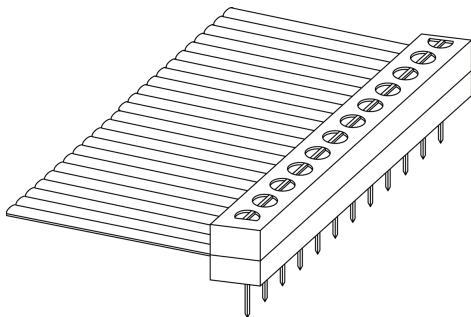




SRB (Single-Row-Board) Jumper Selection Guide

Style No.: 39033



FEATURES and BENEFITS:

- Eliminates usual cable/connector assembling.
- Inseparable - nothing to come apart.
- Ultimate strain relief inherent in design.
- No pull tabs required; cable molded into connector.
- Eliminates usually exposed conductor ends.
- Single-row contacts on .100 in. (2,54 mm) centers.
- Line-by-line probe access holes are standard.
- .100 in. (2,54 mm) pitch solid, round-conductor, PVC flat ribbon cable.
- Solders into single rows of PC board holes spaced on standard .100 in. (2,54 mm) centers. Adjacent ends clear when installed end to end. (Jumpers may be placed in continuous-row patterns without loss of holes between connectors).
- Contact length accommodates up to .125 in. (3,18 mm) PC boards.
- Available only as end terminations, not as daisy chains.
- 100% factory testing of **each** jumper shipped.

SPECIFICATIONS:

Electrical:

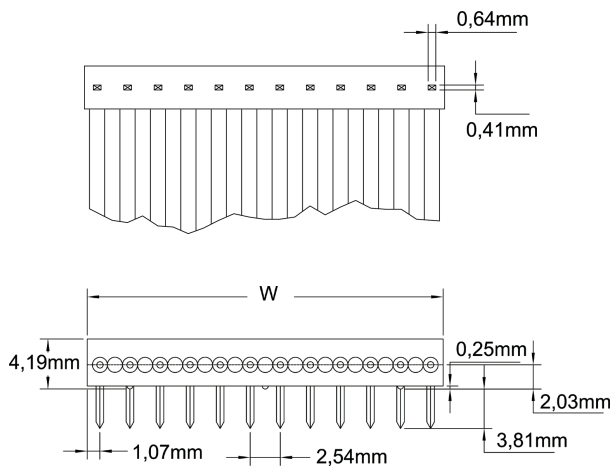
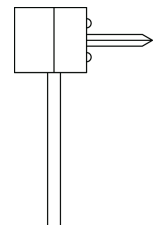
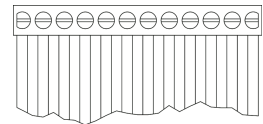
Current rating: 1 amp (D.C.)
 Dielectrical withstanding voltage: 1000 volts (sea level)

Physical:

Contact material: CuNi18Zn20
 Plating: see Surface-Finish-Materials Table

Environmental:

Material: U.L. rated 94 V-O
 Operating temperature range: -40°C to +105°C



DIMENSIONS: in inch (mm)

Size	W
04	0.584 (7,37)
05	0.634 (6,10)
08	0.784 (19,91)
09	0.834 (21,18)
10	0.884 (22,45)
12	1.184 (30,07)
14	1.284 (32,61)
20	1.984 (50,39)
24	2.184 (55,47)



Ordering Information

LEFT-END...	RIGHT-END CONNECTOR STYLE NUMBERS		
	NO CONNECTOR Style 39000	SRB Style 39033	SRS Style 39035
SRB Style 39033			
DOWN UP STRIPE UP	OPEN Stripped and tinned available	DOWN UP 	DOWN UP
DOWN UP STRIPE DOWN	OPEN Stripped and tinned available	DOWN UP 	DOWN UP

Easy 4-Step Jumper Description - EXAMPLE

For detailed information please see Technical Informations

STEP 1	LEFT CONTACTS	CONNECTOR STYLE NO.	CONTACT FINISH	CONNECTOR SIZE
Left up =LP	LN	39033	01	20
Left down =LN				
Left Open =LO				
STEP 2	RIGHT CONTACTS	CONNECTOR STYLE NO.	CONTACT FINISH	CONNECTOR SIZE
Right up =RP	RP	39007	01	20
Right down =RN				
Right Open =RO				
STEP 3	CABLE (conductor #1)	CABLE STYLE NO.	ALWAYS „00“	NUMBER OF CONDUCTORS
Stripe up =SP	SN	39322	00	20
Stripe down =SN				
STEP 4	TIP-TO-TIP JUMPER LENGTH	DECIMAL		
MilliMeters =MM	MM	700	00	
Inches =IN				

NOTES: Where connector sizes are different, the inactive contacts will be located farthest from the cable stripe unless otherwise specified.

A P Products GmbH
Postfach 1158
D-71089 Weil im Schönbuch
Deutschland
Tel.: +49-7157-5348-0
Fax: +49-7157-5348-39
Web: www.ap-products.de
E-mail: info@ap-products.de

A P Products Ltd.
80 Cromwell Road
Saffron Walden, CB11 4BE
Great Britain
Tel.: +44-1799-526602
Fax: +44-1799-521408
Web: www.ap-products.co.uk
E-mail: info@ap-products.co.uk

A P Products S.r.l.
Viale Abruzzi, 87
I-20131 Milano
Italia
Tel.: +39-02-29404697
Fax: +39-02-29523280
Web: www.ap-products.com
E-mail: info-i@ap-products.com